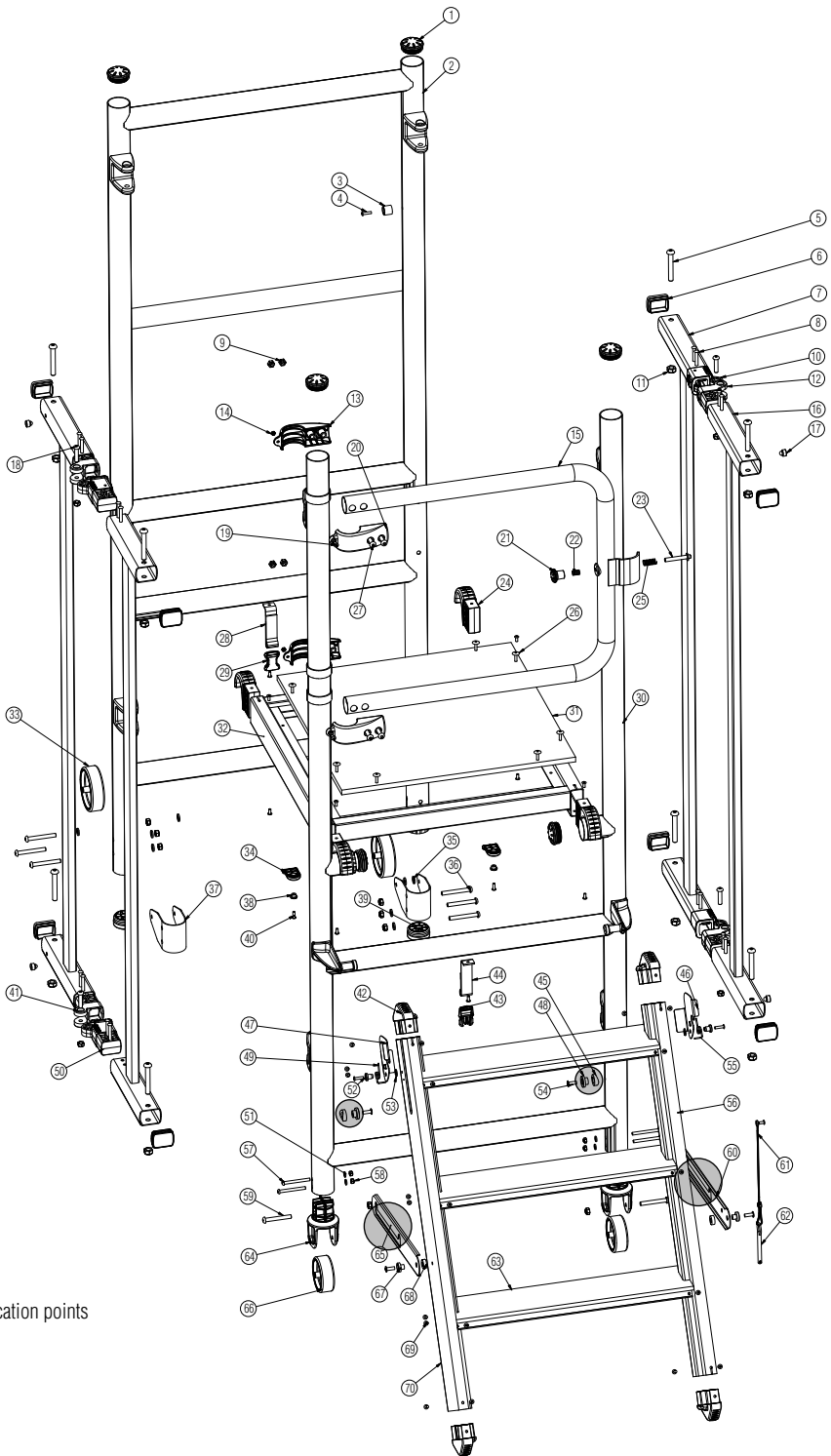


Fig. 6



Key:  
 ● Lubrication points

Part No.	Description	Qty
1	End Plug 50mm Round-ISSB	6
2	Rear Frame Sub	1
3	Stud	1
4	3-16 Blind Rivet Dome Head (AD610BS)	3
5	M10 X 70mm Socket Button Head Screw	8
6	End Plug Square-ISSB	8
7	Middle Bend Sub 1	4
8	1-4 Tubular Rivet Oval Head (G4)	16
9	M8 Hex Nyloc Nut	16
10	Elbow Hinge Upper Assembly	2
11	M10 Hex Nyloc Nut	8
12	Elbow Hinge Lower 2	2
13	Door Bracket Rear Half-ISSD	2
14	M5 Hex Nyloc Nut	2
15	Door Sub	1
16	Middle Bend Sub 2	4
17	Push In Foot	4
18	M8 X 35mm Socket Button Head Screw	4
19	M5 X 14mm Socket Button Head Screw	2
20	Door Bracket Front Half-ISSD	2
21	Plunger Head - ISSB	1
22	M8 In-mould-insert	1
23	Index Plunger Long	1
24	Platform Hooks	4
25	Door Latch Spring (1026)	1
26	3-16 Blind Rivet Large Flange (AD610BSLF)	8
27	M8 X 55mm Socket Button Head Screw	4
28	Nylon Strap 4	1
29	Buckle Female	1
30	Front Frame Sub	1
31	Floor Board	1
32	Platform Sub	1
33	100mm Plain Bore Wheel Assembly	2
34	Platform Clip Moulded	2
35	M8 Washer	10

Part No.	Description	Qty
36	M8 X 65mm Socket Button Head Screw	6
37	Rear Wheel Bracket	2
38	Platform Clip Bush	2
39	Rear Foot-ISSB	2
40	3-16 Blind Rivet Dome Head (AD66BS)	10
41	Elbow Hinge Lower Blanked 2	2
42	Ladder End Moulding	4
43	Nylon Strap 3	1
44	Saddle Washer	1
45	Ladder Catch RH-ISSB	2
46	Ladder Catch LH-ISSC	1
47	Torsion Spring (1613LH) Sprung	1
48	Elbow Hinge Upper Blanked 2	2
49	Nylon Spacer-ISSB	1
50	Buckle Male	2
51	M8 Washer (100706)	4
52	1-4 Blind Rivet Dome Head (AD810BS)	2
53	Runner	2
54	Torsion Spring (1613RH) Sprung	4
55	Ladder Stile RH	1
56	M6 Washer	1
57	M6 X 60mm Socket Button Head Screw	4
58	M6 Hex Nyloc Nut	4
59	M8 X 60mm Socket Button Head Screw	2
60	Ladder Brace RH	1
61	Lanyard	1
62	DTP-0312-2200 Self Locking Pin	1
63	Treads	3
64	Wheel Bracket Casting	2
65	Ladder Brace LH	1
66	80mm Plain Bore Wheel Assembly	2
67	Nylon Bush	2
68	Ladder Fixed Pivot	2
69	3-16 Blind Rivet Dome Head (AD64BS)	34
70	Ladder Stile LH	1